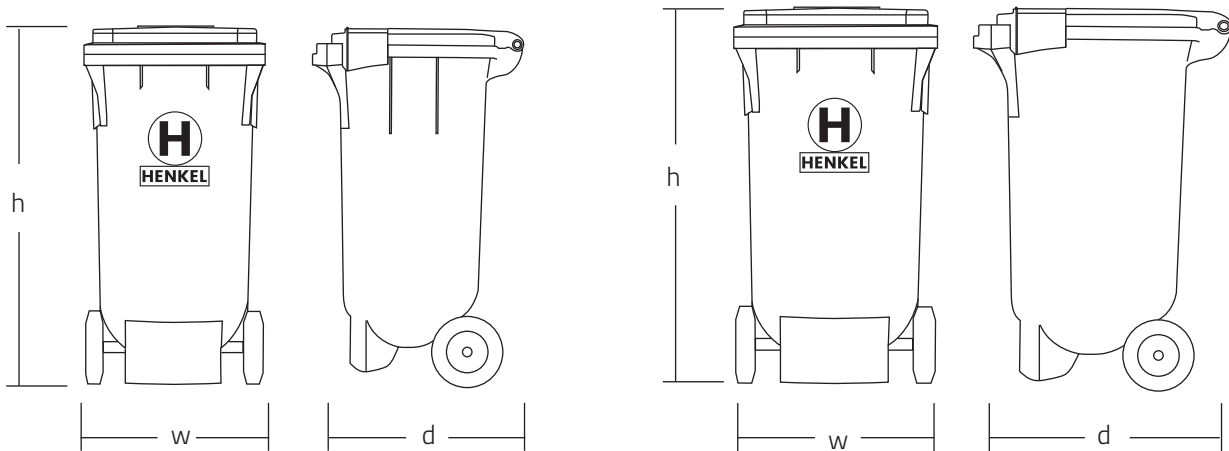


# FATBOXX<sup>®</sup> + FATBOXX<sup>®</sup> max

Waste bin for used cooking oil and fats, food wastes and slaughterhouse waste



Product	Volume in liters (nominal)	Volume in gallons	Heigh (h)	Width (w)	Depth (d)	Wheels Ø in mm	Weight in kg
FATBOXX <sup>®</sup>	120 l	31	960	498	554	200	11,5
FATBOXX <sup>®</sup> max	200 l	52	1045	580	674	200	15

All specified dimensions are approximate.

**Heat proof:**

**Type:**

**Stackable:**

**Wheels:**

**Certification/  
Quality:**

**Options:  
(at extra costs)**

**Colours:**

**Standard Colours  
opaque:**

**Standard Colours  
translucent:**

- Can be filled with fat with temperatures of up to 110 °C (230 °F)
- Reusable packaging
- 2 containers can be stacked when fully assembled, unassambled nested inside each other stackable up to 10 containers
- can be easily assembled and dismantled (Quick-Release-Technic)
- with vulcanized rubber (FATBOXX and FATBOXXmax)
- FATBOXX max has extra solid BigFootWheels as standard
- According to standard EN 840
- Regular monitoring by independent testing institute
- CE approved
- Translucent colour
- Extra solid BigFootWheels for FATBOXX
- FATBOXXhot and FATBOXXmax hot can be filled with oil up to 140 °C (284 °F)
- Engraving, Hot print, Screen printing, Coditherm, sticker
- Special colours



RAL 5005 8011 6011 3020 7016



similar RAL 9016 5005 6011

